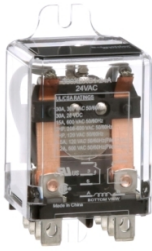


# Product data sheet

Specifications



## Power relay, SE Relays, DPDT, 30A, 24 VAC, side flange cover

300XBXC1-24A

Product availability: Stock - Normally stocked in distribution facility

Price\*: 43.45 USD

### Main

Product Type	Power relay
Switch Function	DPDT
Contact Composition	2 NO + 2 NC

### Complementary

Input Current	30 A
Contacts Material	Silver alloy contacts
Minimum Switching Current	500 mA 5 V DC
Coil Resistance	54 Ohm
Input voltage	24 V AC
Drop-out Voltage Threshold	$\geq 0.1 U_c$ DC $\geq 0.15 U_c$ AC
Rated Operational Current	30 A at 300 V AC (at nominal load) conforming to UL 15 A at 600 V AC (at nominal load) conforming to UL 30 A at 28 V DC (on resistive load) conforming to UL 5.5 A at 120 V AC (on pilot duty) conforming to UL 1.2 A at 600 V AC (on pilot duty) conforming to UL
Power consumption in W	2.3 W DC
Power consumption in VA	3.4 VA AC
Voltage Range	0.85...1.1 $U_n$ AC
Maximum Switching Voltage	600 V AC
Motor Power HP	1 hp 120 V AC 50/60 Hz 2 hp 208/240 V AC 50/60 Hz 2 hp 480/600 V AC 50/60 Hz
Connections Terminals	Quick
Mounting	Flange
Height	2.9 in (73.6 mm)
Width	1.5 in (37.8 mm)
Depth	1.4 in (34.5 mm)
Product Weight	3.0 oz (85 g)

### Environment

Ambient Air Temperature for Operation	-40...131 °F (-40...55 °C)
Ambient Air Temperature for Storage	-40.0000000000...185.0000000000 °F (-40...85 °C)

Price is "List Price" and may be subject to a trade discount – check with your local distributor or retailer for actual price.

<b>Product Certifications</b>	UL CSA
<b>Electrical Durability</b>	100000 cycles
<b>Mechanical Durability</b>	5000000 cycles
<b>Dielectric Strength</b>	4000 V AC between coil and contact 2500 V AC between poles 2500 V AC between contacts

## Ordering and shipping details

<b>Category</b>	US10CP221127
<b>Discount Schedule</b>	OCP2
<b>GTIN</b>	3606480276316
<b>Returnability</b>	No
<b>Country of origin</b>	CN

## Packing Units

<b>Unit Type of Package 1</b>	PCE
<b>Number of Units in Package 1</b>	1
<b>Package 1 Height</b>	1.50 in (3.81 cm)
<b>Package 1 Width</b>	1.50 in (3.81 cm)
<b>Package 1 Length</b>	3.0000000000 in (7.62 cm)
<b>Package 1 Weight</b>	2.880 oz (81.647 g)

## Sustainability

**Green Premium™** label is Schneider Electric's commitment to delivering products with best-in-class environmental performance. Green Premium promises compliance with the latest regulations, transparency on environmental impacts, as well as circular and low-CO<sub>2</sub> products.

**Guide to assessing product sustainability** is a white paper that clarifies global eco-label standards and how to interpret environmental declarations.

[Learn more about Green Premium >](#)

[Guide to assess a product's sustainability >](#)

## Well-being performance

 Reach Free Of Svhc

 Rohs Exemption Information [Yes](#)

**Reach Regulation** [REACH Declaration](#)

**Eu Rohs Directive** Pro-active compliance (Product out of EU RoHS legal scope)  
[EU RoHS Declaration](#)

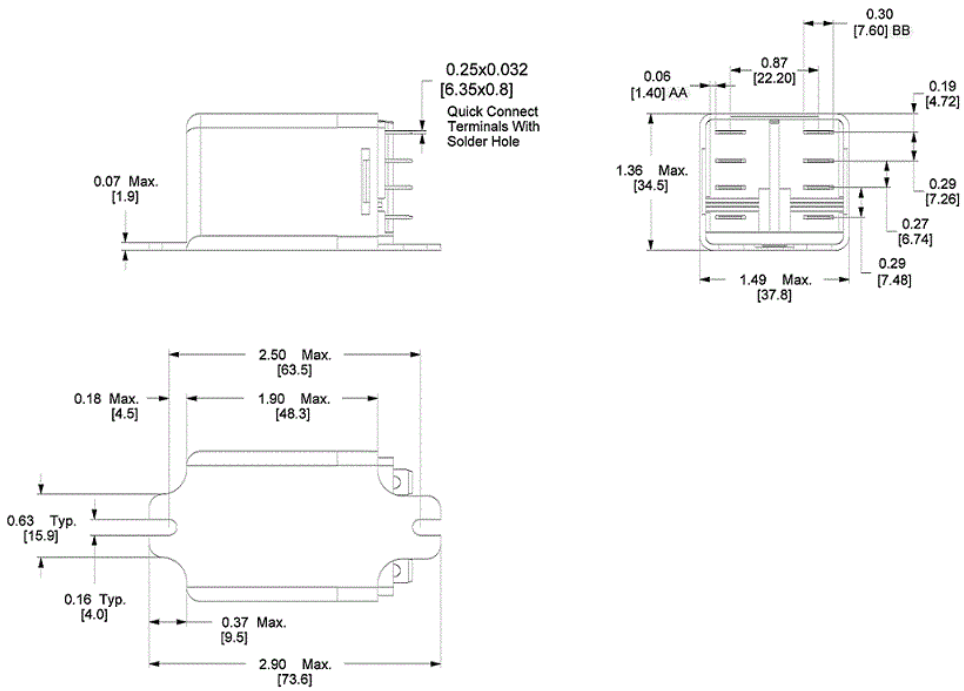
**China Rohs Regulation** [China RoHS declaration](#)

**Weee** The product must be disposed on European Union markets following specific waste collection and never end up in rubbish bins.

**California Proposition 65** "WARNING: This product can expose you to chemicals including: Nickel compounds, which is known to the State of California to cause cancer, and Di-isodecyl phthalate (DIDP), which is known to the State of California to cause birth defects or other reproductive harm. For more information go to [www.P65Warnings.ca.gov](http://www.P65Warnings.ca.gov)"

Dimensions Drawings

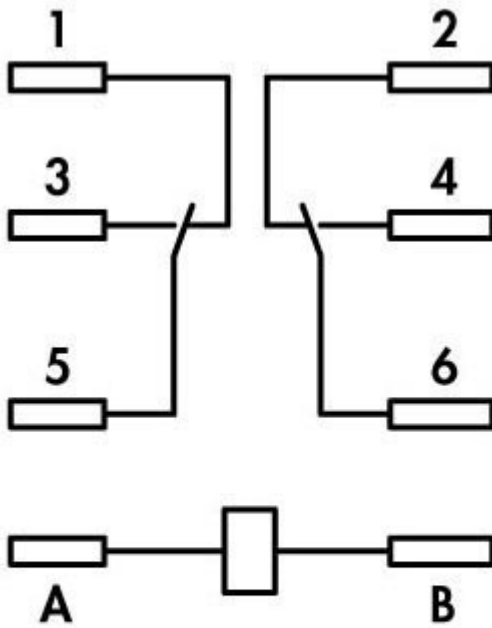
Approximate Dimensions



Connections and Schema

Connections and Wiring Diagrams

---



**XBXC DPDT**